



SPECIFICATION OF PRODUCT

CUSTOMER: _____

DESCRIPTION : SPEAKER

EKEYSOUND P/N: EKS4005

CUSTOMER P/N: _____

DATE : 2018-11-05

Specification for speaker

1. CONDITION.

Above Measuring condition under temperature :

15~35℃ R.H. 25 ~75%.86 kPa to 106 kPa (860 mbar to 1 060 mbar According to standard
GB/T 9397—200X and IEC 60268-1

2. ELECTRICAL AND ACOUSTICAL SPECIFICATION.

2-1	Rated Input Power.	1.0W
2-2	Max Input Power.	1.5W
2-3	Rated Impedance.	8Ω ± 15%
2-4	Sound Pressure Level. (S.P.L)	92dB(0.1W/0.1m) ± 3 dB at AVE 0.8K 1.0K 1.2K 1.5K Hz
2-5	Resonance Frequency (Fo).	600±20%Hz
2-6	Frequency Range.	F0~6kHz.
2-7	Distortion	Less than 5% at 1KHz input Rated Power
2-8	Magnet	Rare earth permanent (NdFeB) magnet Φ 12.5 *1.5mm
2-9	Buzz, Rattle, etc.	Should not be audible at 2.83V sine Wave between Fo to 20KHz
2-10	Polarity	When positive voltage is applied to the terminal marked (+), diaphragm should move to the front.
2-11	Appearance	Should not exist any obstacle to be harmful to normal operation; damages, cracks, rusts and distortions, etc.
2-12	Weight.	9 g
2-13	Temperature	Operating temperature: -25~+60℃ Storage temperature: -25~+60℃

Specification for speaker

3. MEASURING METHOD

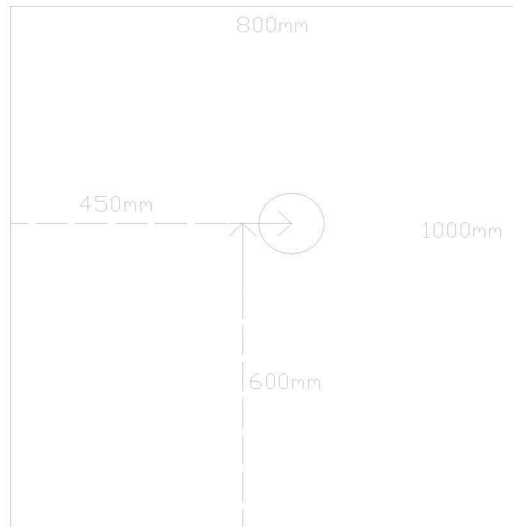


FIG.1

3.1 Block Diagram For Measurement Method.

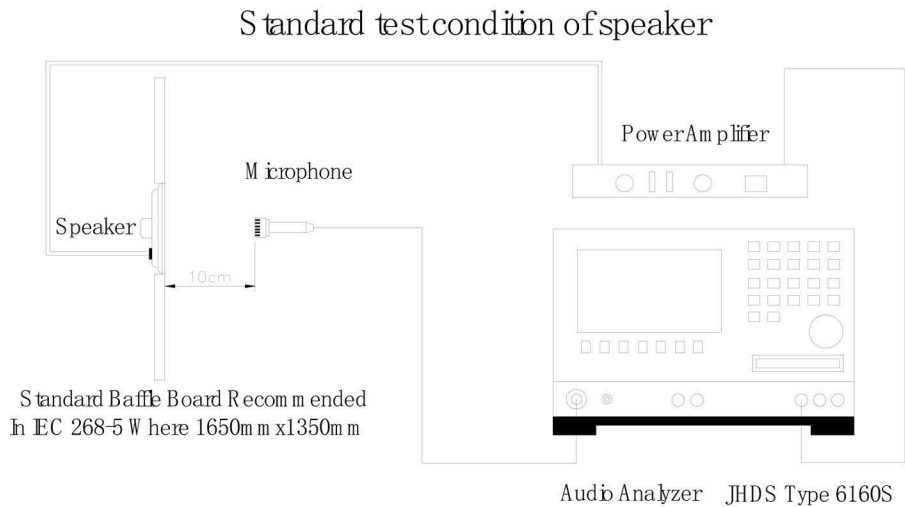


FIG.2

Specification for speaker

4. Frequency Response :

The swept sine-wave frequency response of a Loud speaker should ideally not deviate more than indicated per Fig.3

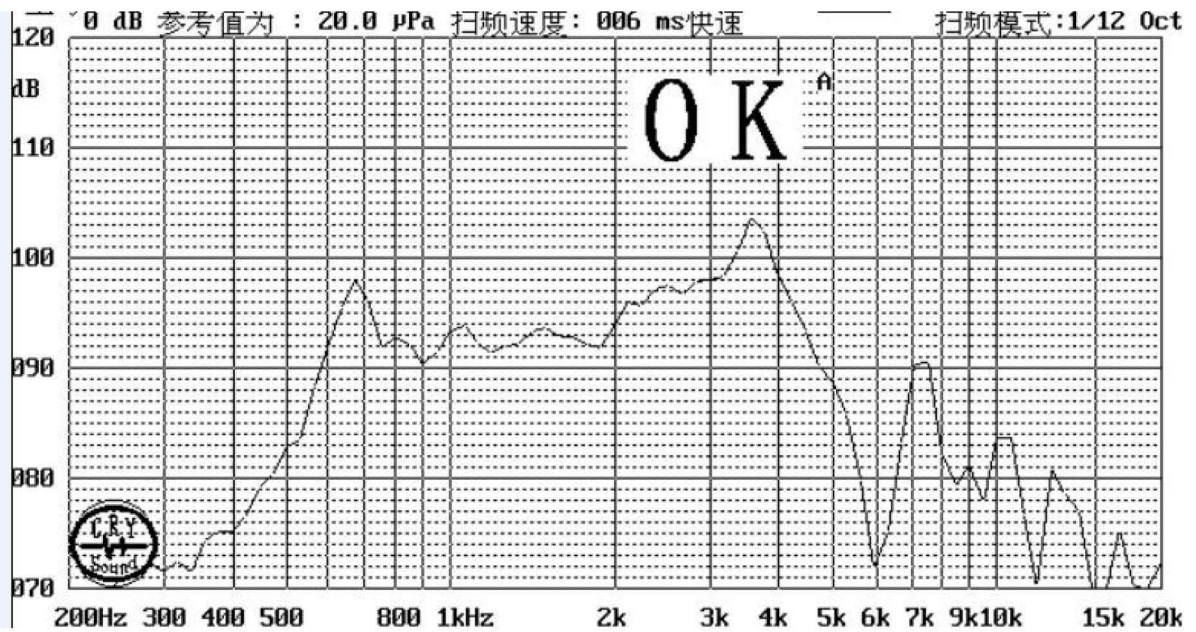
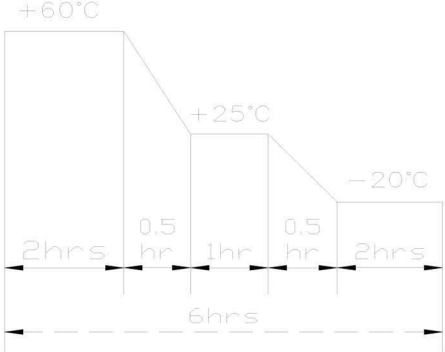


FIG.3

Specification for speaker

5. ENVIRONMENT TEST

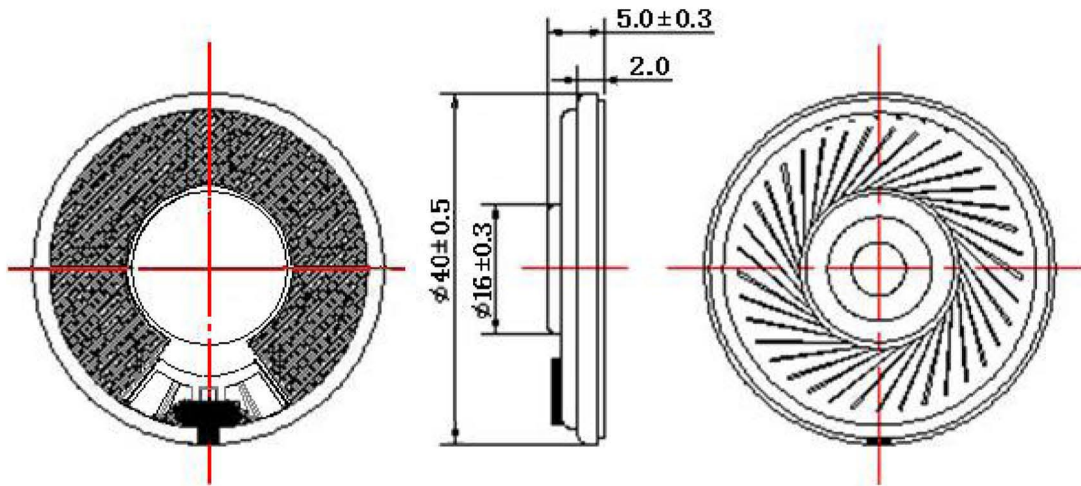
ITEM	SPECIFICATIONS
01	High temp. Test + 60 ± 2 °C Humidity Random for 96 Hours. (GB/T 9397—200X)
02	Low temp. Test - 25 ± 2 °C Humidity Random for 96 Hours. (GB/T 9397—200X)
03	Humidity test +40°C±2°C Relative Humidity(RH)90~95% 48 Hours
04	<p>The part shall be subjected 4cycles. One cycle shall be 6 hours and consist of (GB5170.18-87)</p>  <p style="text-align: center;">Temp./Humidity cycle</p>
05	Vibration Frequency 30 ± 15 Hz, Amplitude 1.5 mm for 3 Hours. (GB11606.8-89)
06	drop test 75 CM free falling on Concrete floor, 10 times. (GB2423. 8-81)
07	Load test Must perform normal with program White-Noise source at Rated Power for 96 Hours(GB/T 9397—200X)
08	Lead Wire Pull Strength Apply 3.0N(0.306kg) to each terminal in horizontal direction for 30 seconds; Apply 2.0N(0.204kg) to each terminal in vertical direction for 30 seconds;

Criterion :

After these test , the change of S.P.L shall be within ±3 dB

Specification for speaker

6.Dimensions

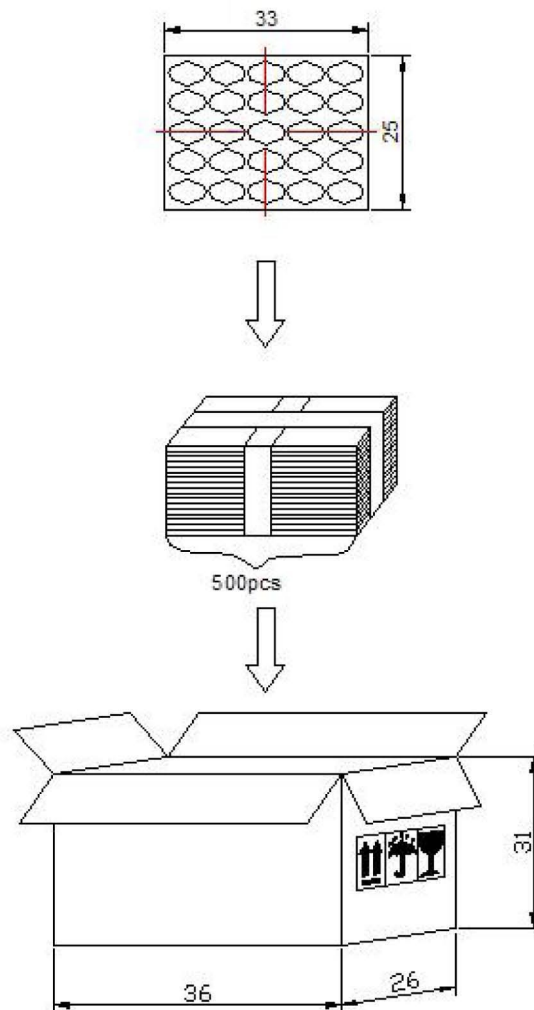


Unit:mm Tol:±0.5

7	Gasket	1	Paper	
6	Diaphragm	1	Pet	
5	VOICE COIL	1	Cu	
4	Plate	1	SPCC	
3	Magnet	1	NdFeB	
2	PCB Terminal	1	FR-4	
1	Frame	1	Spcc	
The material must be meet to GU-001				
PART NO.	PART NAME	Q'TY	MATERIAL	REMARK

Specification for speaker

7.PACKING



Remark:

25 pcs per tray

20 trays for unit, 1 units per carton

Total:500 pcs per box

Size:36*26*31cm